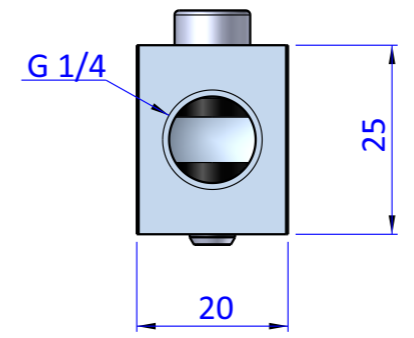
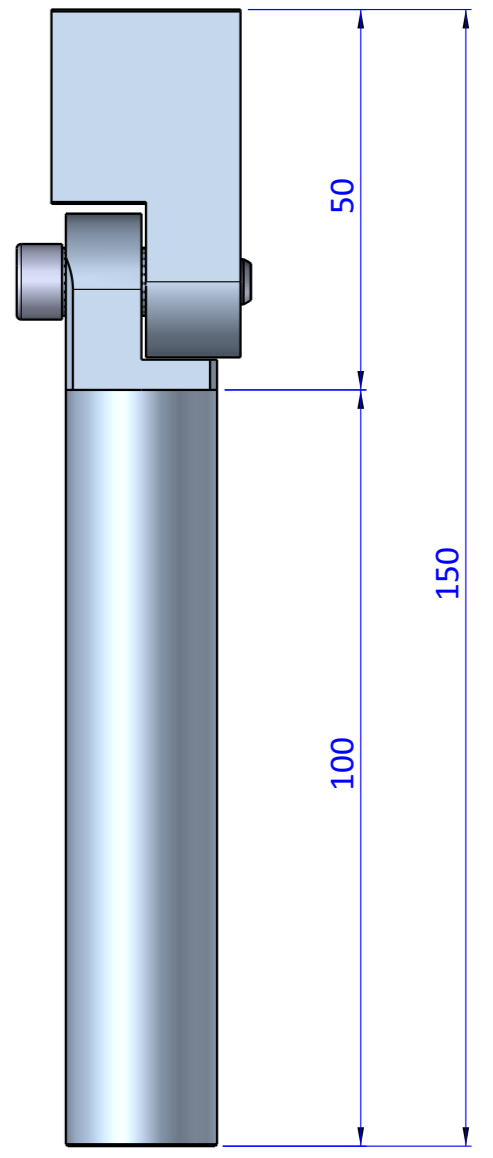
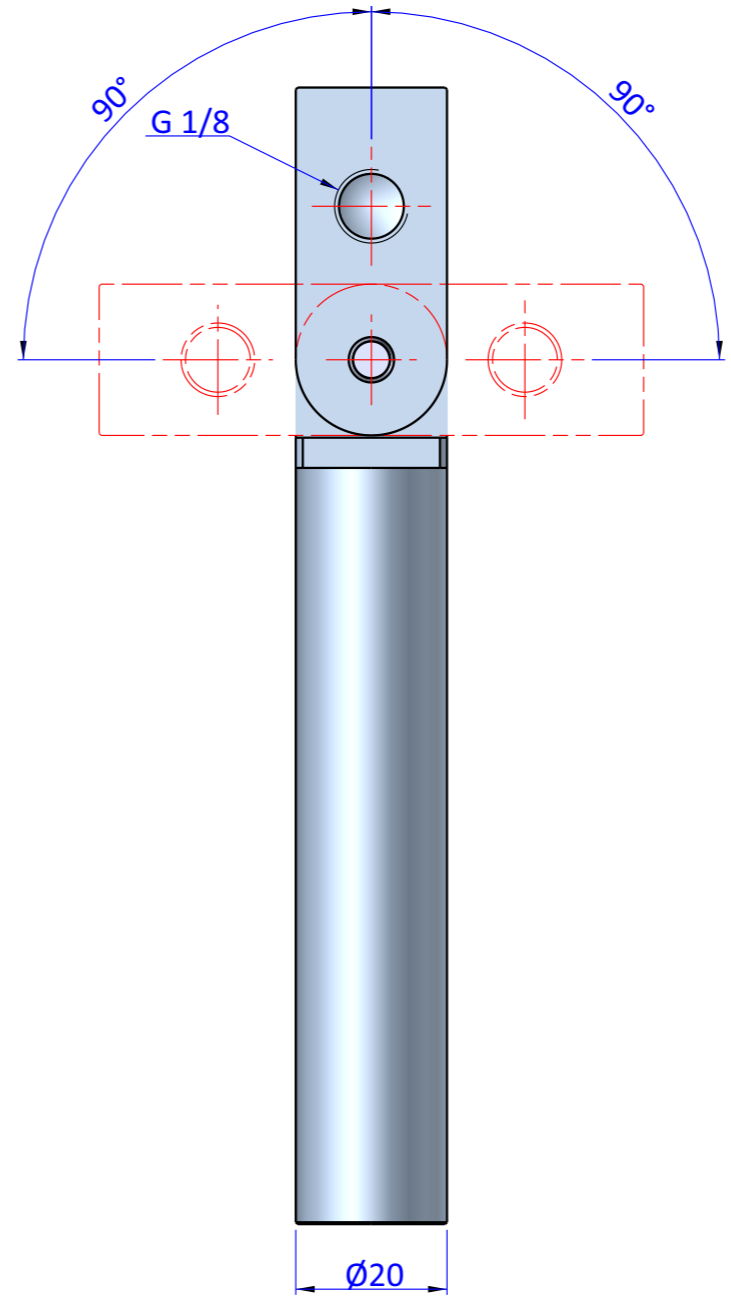
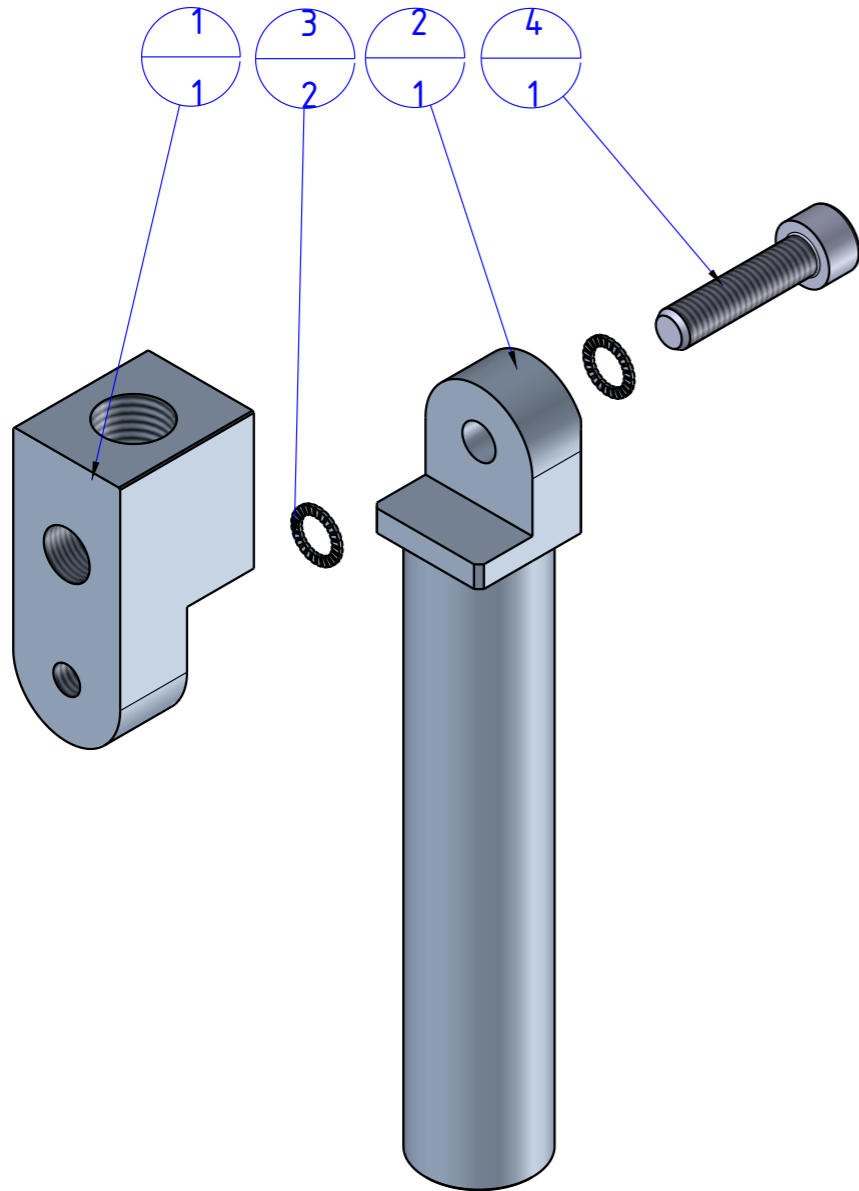

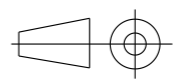


THE PROPERTY OF THE DRAWING IS ESTABLISHED BY LAW. IT IS FORBIDDEN TO PRODUCE OR SHOW IT TO THIRD PART. WITHOUT A WRITTEN AGREEMENT.

Item	Name	Qty.
1	GGE.20.14.18	1
2	GLA.20.1.100	1
3	R.6.SCH	2
4	V.TCE6x25	1



Format A3
UNI 936-76

 FPS FPSERVICES AUTOMATION			DESIGNED FROM FPS Automation	REVIEW A
GENERAL TOLERANCE UNI - ISO 2768 CLASSE f	DESCRIPTION CA.GGE.20.14.18	DATE 15/09/2020	WEIGHT 0,098kg	CODE CA.GGE.20.14.18